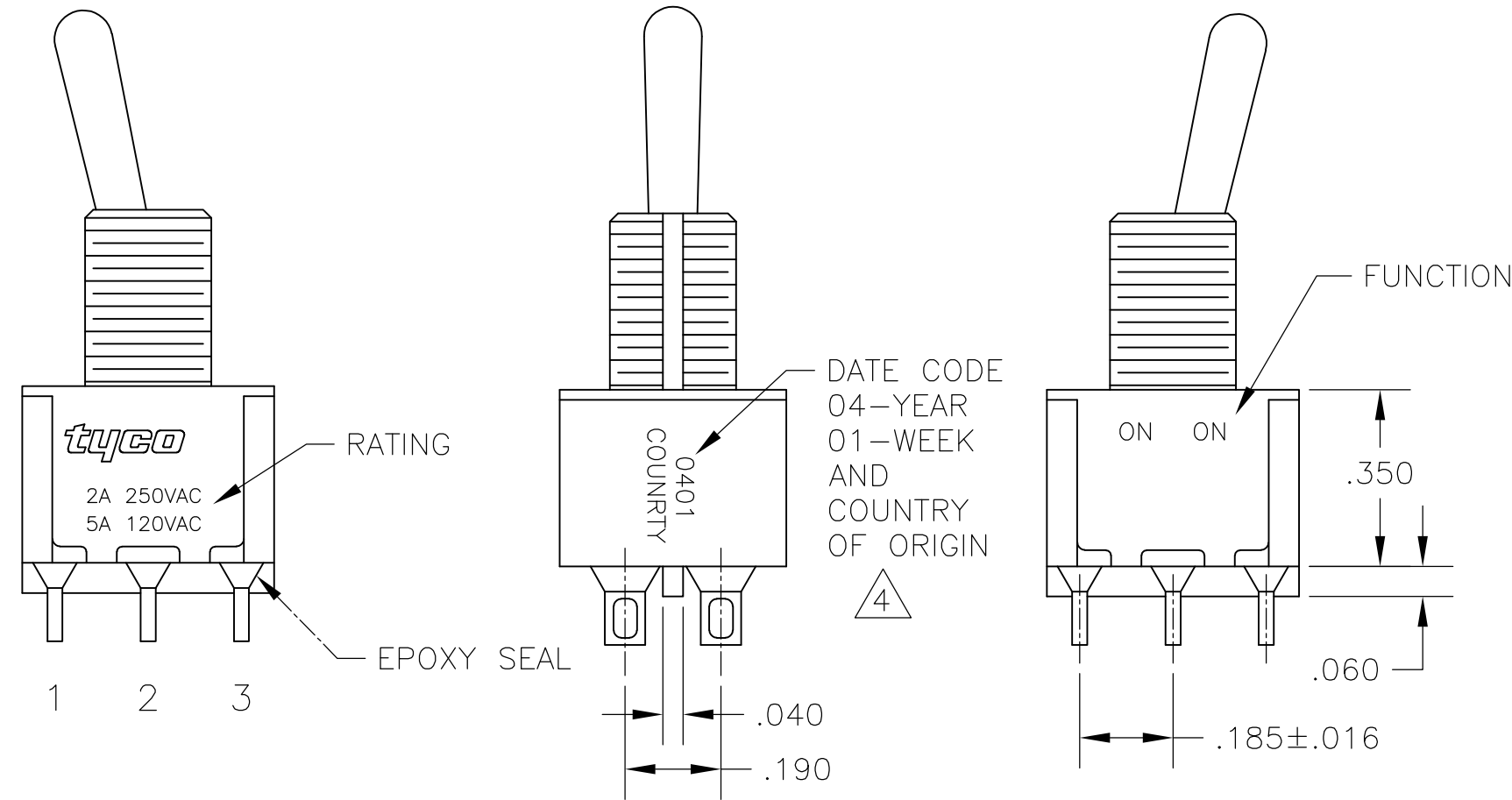
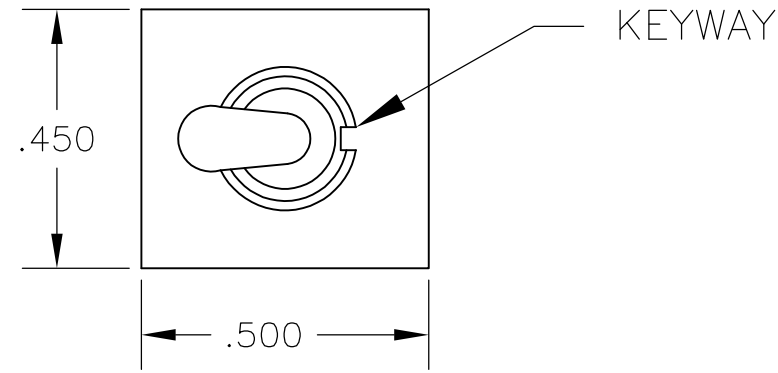


THIS DRAWING IS UNPUBLISHED. RELEASED FOR PUBLICATION  
 © COPYRIGHT BY TYCO ELECTRONICS CORPORATION. ALL RIGHTS RESERVED.

LOC	DIST	REVISIONS			
P	LTR	DESCRIPTION	DATE	DWN	APVD
AD	00				
	A1	ECO-06-10851	13NOV07	MB	MW



NOTES:

- ALL MATERIALS AND FINISHES SHALL COMPLY WITH EU DIRECTIVE 2002/95/EC OF 27JAN2003 (ROHS).
  - EACH SWITCH WITH THREADED BUSHINGS SUPPLIED WITH THE FOLLOWING MOUNTING HARDWARE:  
 (2) HEX NUTS  
 (1) INTERNAL TOOTH LOCKWASHER  
 (1) LOCATING RING
  - G CONTACT OPTION CAN BE USED FOR SIGNAL OR POWER LEVEL SWITCHING. IF SWITCH IS USED AT LEVELS EXCEEDING .4VA @ 20V AC/DC, SWITCH IS RENDERED FOR POWER SWITCHING ONLY DUE TO ARC REMOVAL OF GOLD PLATING. RATING STAMPED ON FRAME IS 2A 250VAC, 5A 120 VAC.
4. DATE CODE AND COUNTRY OF ORIGIN MAY APPEAR ON EITHER SIDE OF SWITCH.
5. LENGTH OF TOGGLE REDUCED BY .020 WITH A, AV2, V30 OR V40 VERTICAL SUPPORT BRACKET OPTIONS.

FUNCTION CHART			
FUNCTION	1 2 3 4 5 6	1 2 3 4 5 6	1 2 3 4 5 6
01	ON	NONE	ON
08	ON	NONE	(ON)
TERMINALS CONNECTED	2-3, 5-6	---	1-2, 4-5

None: No mechanical position  
 Off: Mechanical position with no electrical connection  
 (On): Momentary action

SPECIFICATIONS CHART	
RATING, B CONTACTS	.4VA MAX @20V MAX. AC OR DC
RATING, G CONTACTS—SEE NOTE 3	.4VA MAX @20V MAX. AC OR DC OR 5A @120 VAC OR 28 VDC (RESISTIVE)
	2A @250 VAC (RESISTIVE)
RATING, Q CONTACTS	5A @120 VAC OR 28 VDC (RESISTIVE)
	2A @250 VAC (RESISTIVE)
ELECTRICAL LIFE	6,000 CYCLES AT RATED LOAD
CONTACT RESISTANCE	10 MILLIOHMS MAX INITIAL @ 2-4VDC, 100ma
INSULATION RESISTANCE	1,000 MEGOHMS MIN
DIELECTRIC WITHSTANDING VOLTAGE	1,000 V RMS AT SEA LEVEL
OPERATING TEMPRATURE	-30C TO 85C

PART NUMBER SEQUENCE CHART						
MODEL	FUNCTION	TOGGLE	BUSHING	TERMINAL	CONTACT	RoHS
A2	01	K	CW	A	B	04
		K1	D	AV2	G	
	08	L	D9	C	Q	
		L1	H	V30		
		L2	Y	V40		
		M	Y9	V70		
		P3		W		
		S		W4		
		T		Z		
T1		Z3				

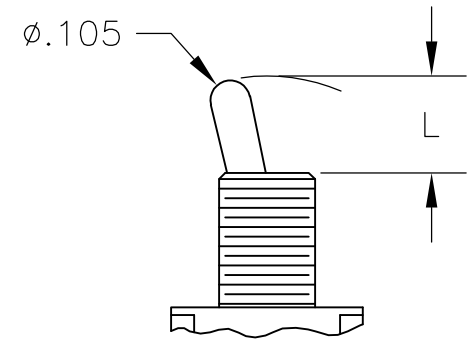
EXAMPLE: A201SYCQ04

THIS DRAWING IS A CONTROLLED DOCUMENT.		DWN M. ZITTO 18MAY05	Tyco Electronics Corporation Harrisburg, Pa 17105-3608	
DIMENSIONS: INCHES		CHK M. ZITTO	NAME	
TOLERANCES UNLESS OTHERWISE SPECIFIED:		APVD M. ZITTO	PRODUCT SPEC	
0 PLC ± -		APPLICATION SPEC		
1 PLC ± -		SIZE CAGE CODE DRAWING NO RESTRICTED TO		
2 PLC ± -		A2 00779 C=1825138		
3 PLC ± .010		SCALE 3:1 SHEET 1 of 4 REV A1		
4 PLC ± -		CUSTOMER DRAWING		
ANGLES ± 2'				
FINISH				

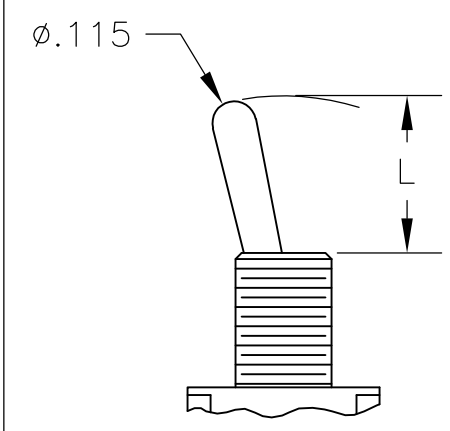
THIS DRAWING IS UNPUBLISHED. RELEASED FOR PUBLICATION  
 © COPYRIGHT BY TYCO ELECTRONICS CORPORATION. ALL RIGHTS RESERVED.

REVISIONS				DATE	DWN	APVD
P	LTR	DESCRIPTION				
-	-	SEE SHEET 1	-	-	-	-

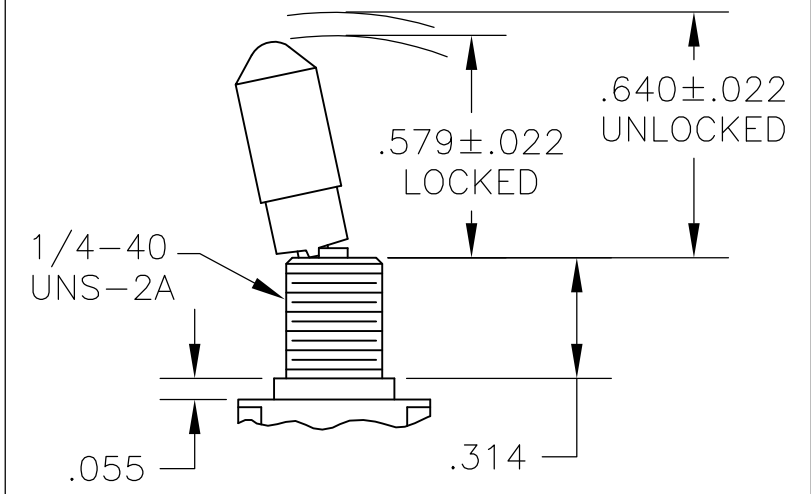
# TOGGLES



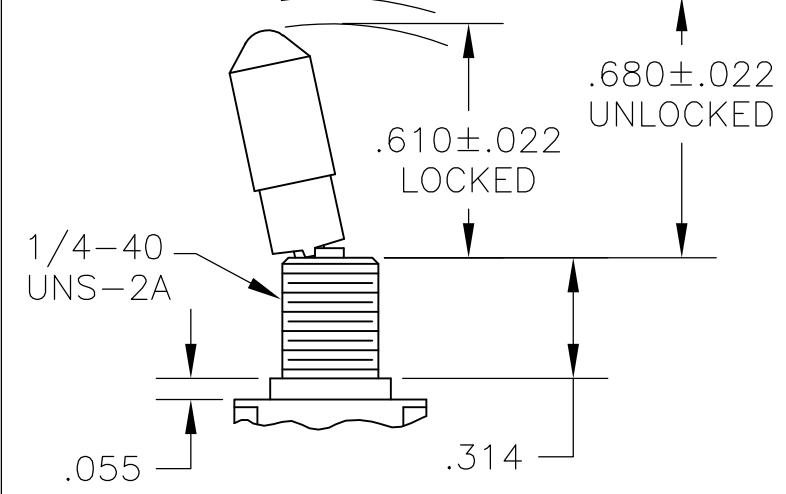
**M** SHORT



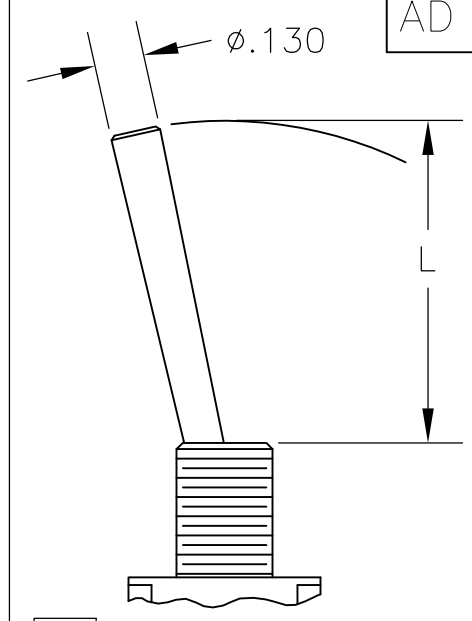
**S** STANDARD



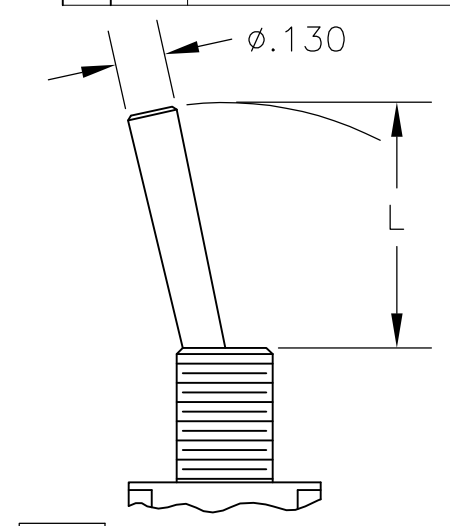
**K** NO BUSHING OPTION NEEDED



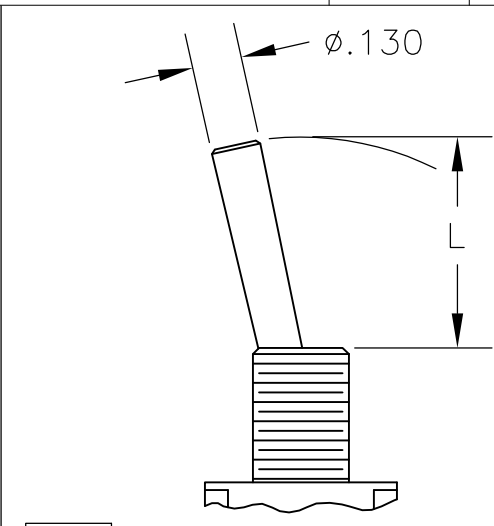
**K1** NO BUSHING OPTION NEEDED



**L** LEVER



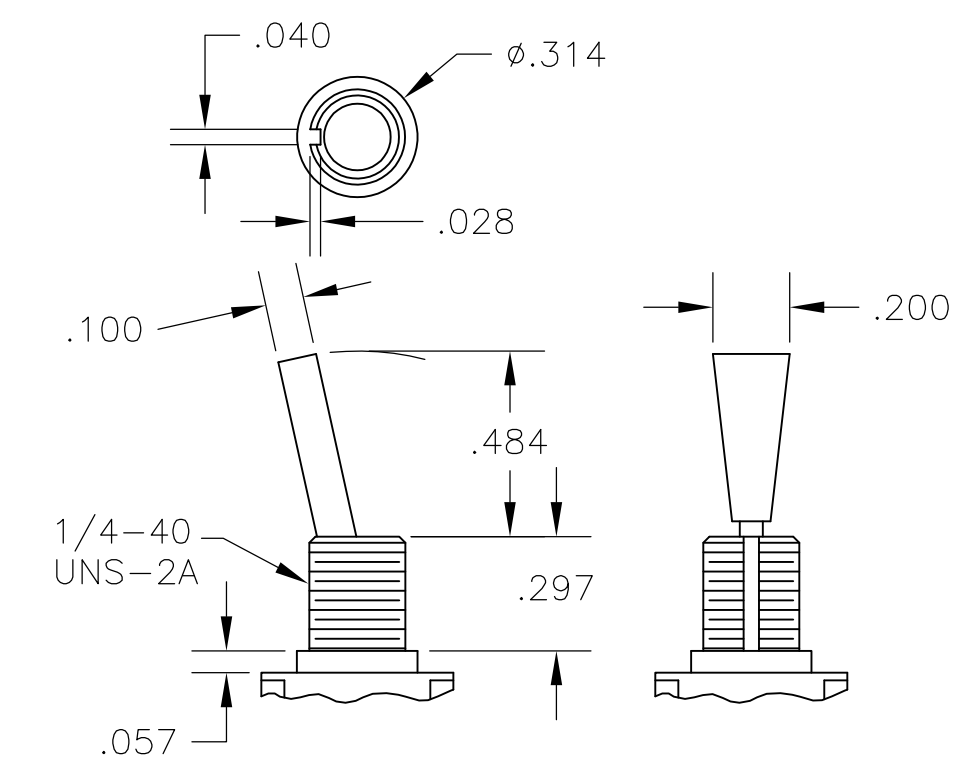
**L1** LEVER



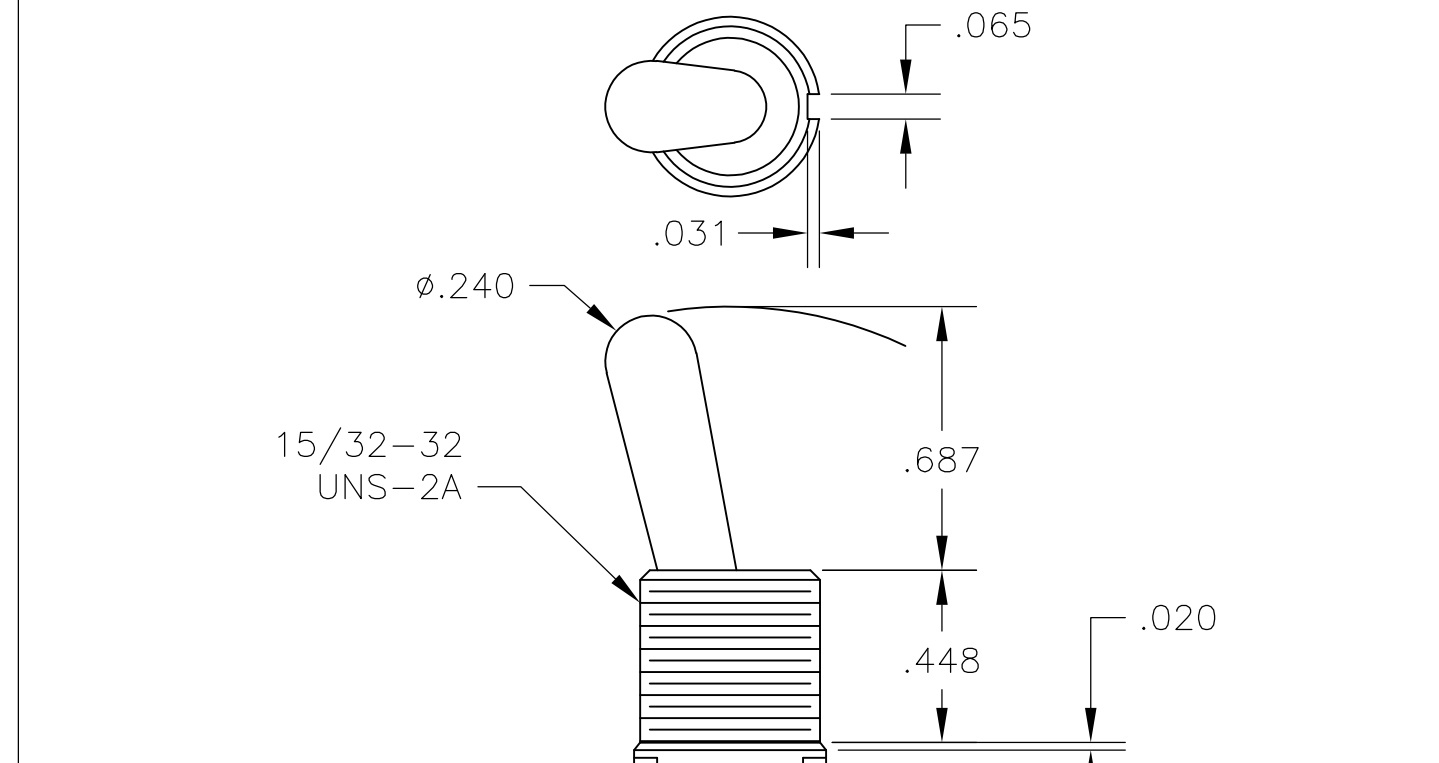
**L2** LEVER

DIM L	BUSHING TYPE	DIM L	BUSHING TYPE
.200	Y, H	.410	Y, H
.270	D, D9	.480	D, D9

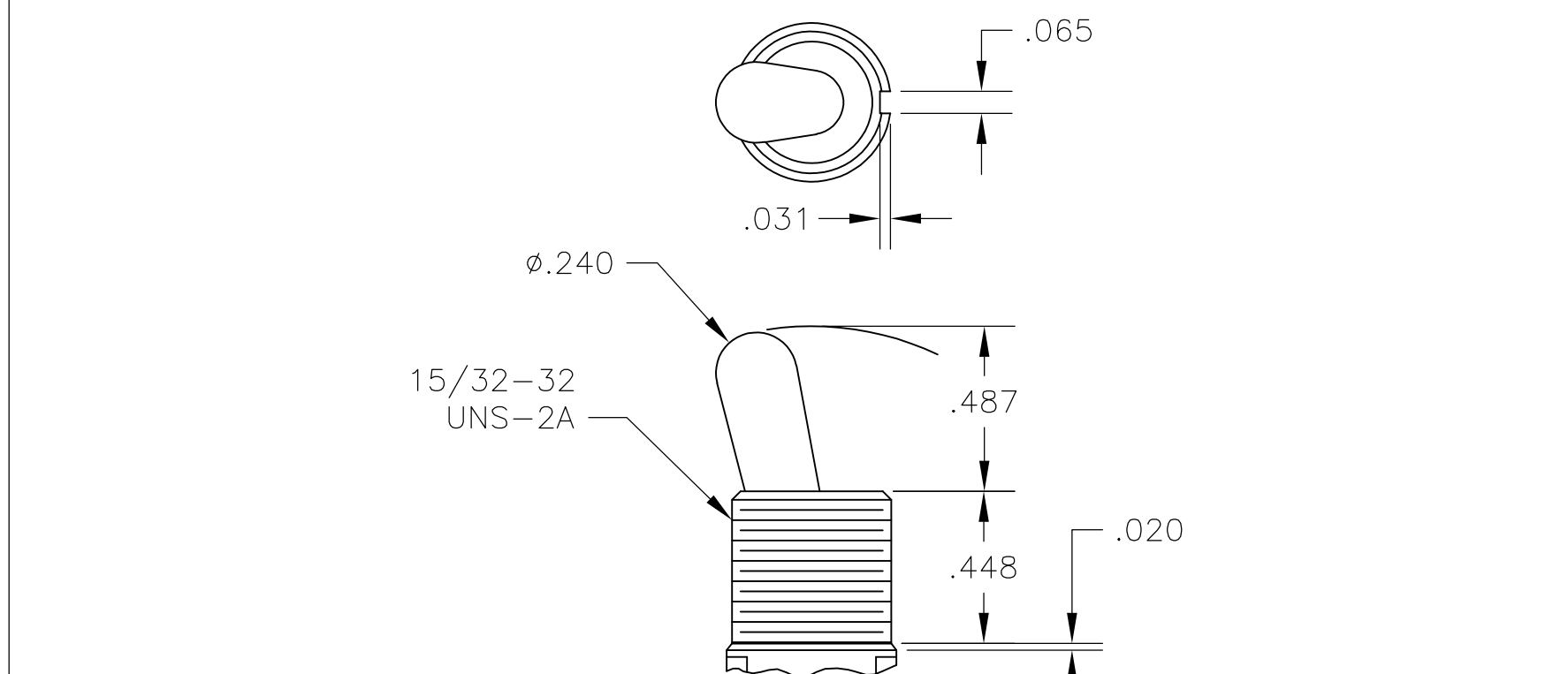
DIM L	BUSHING TYPE	DIM L	BUSHING TYPE	DIM L	BUSHING TYPE
.840	Y, H	.640	Y, H	.550	Y, H
.910	D, D9	.710	D, D9	.620	D, D9



**P3** NO BUSHING OPTION NEEDED

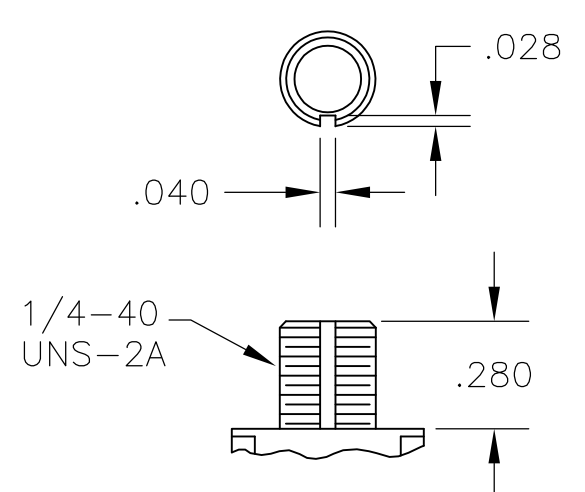


**T** NO BUSHING OPTION NEEDED

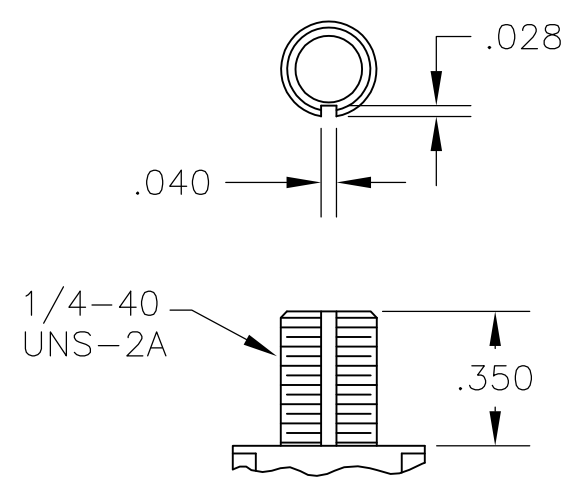


**T1** NO BUSHING OPTION NEEDED

# BUSHINGS

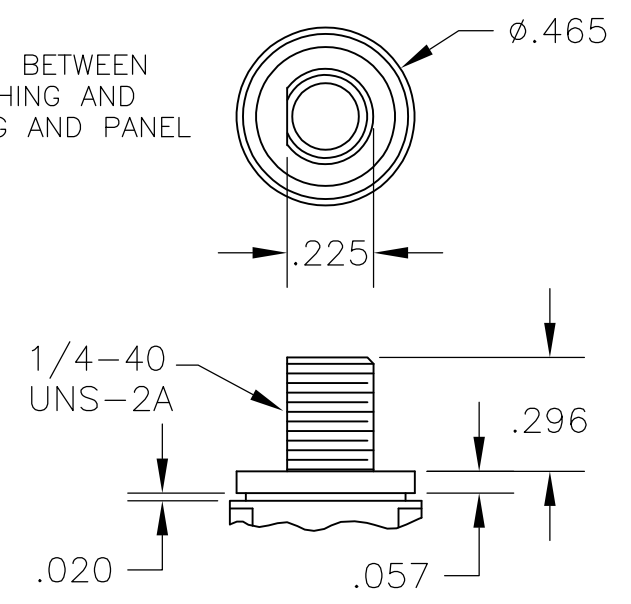


**D** THREADED  
**D9** UNTHREADED

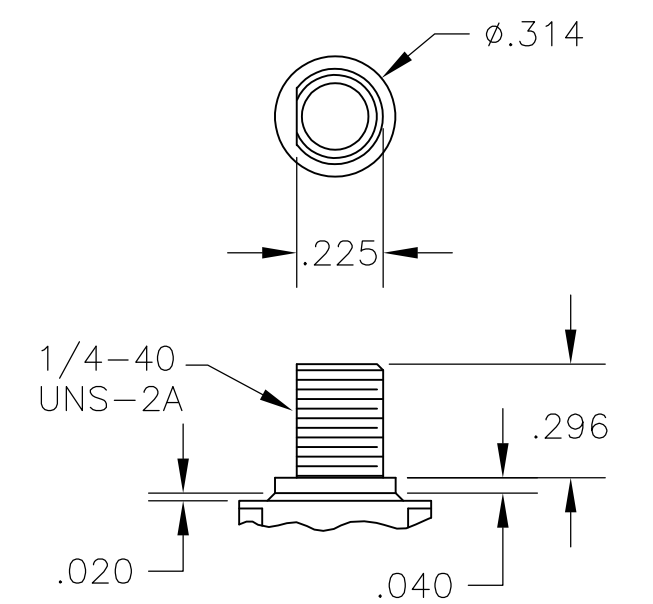


**Y** THREADED  
**Y9** UNTHREADED

CONTAINS O-RING BETWEEN TOGGLE AND BUSHING AND BETWEEN BUSHING AND PANEL



**CW** THREADED SPLASHPROOF

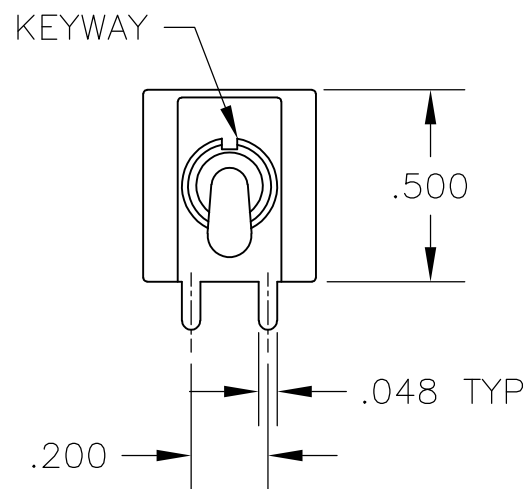


**H** HIGH TORQUE

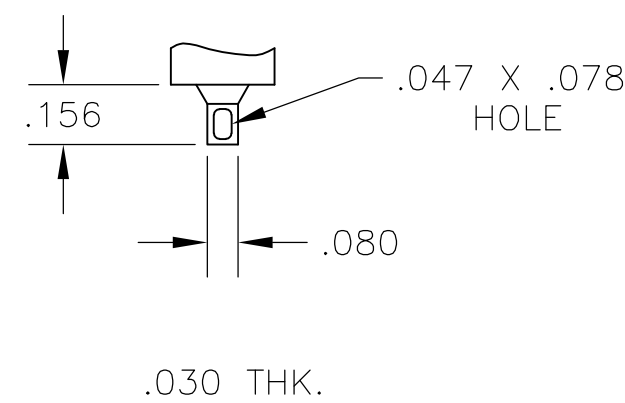
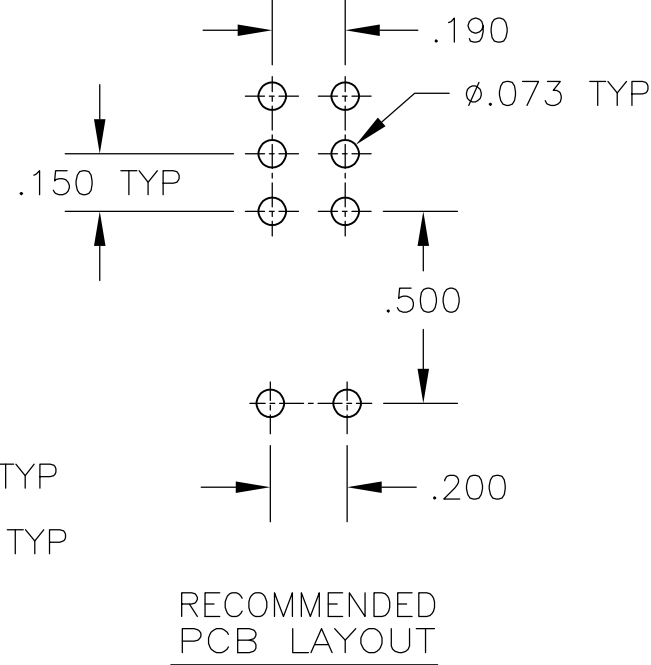
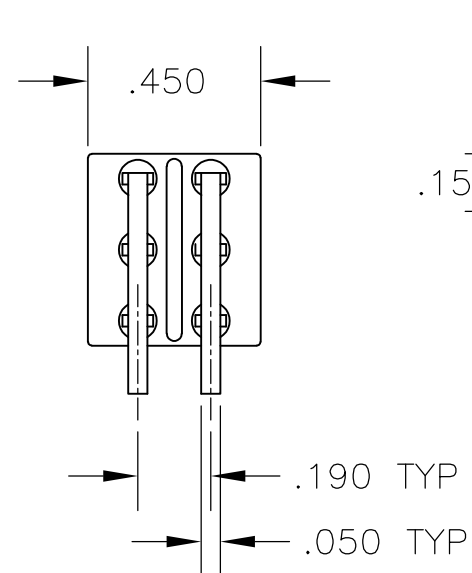
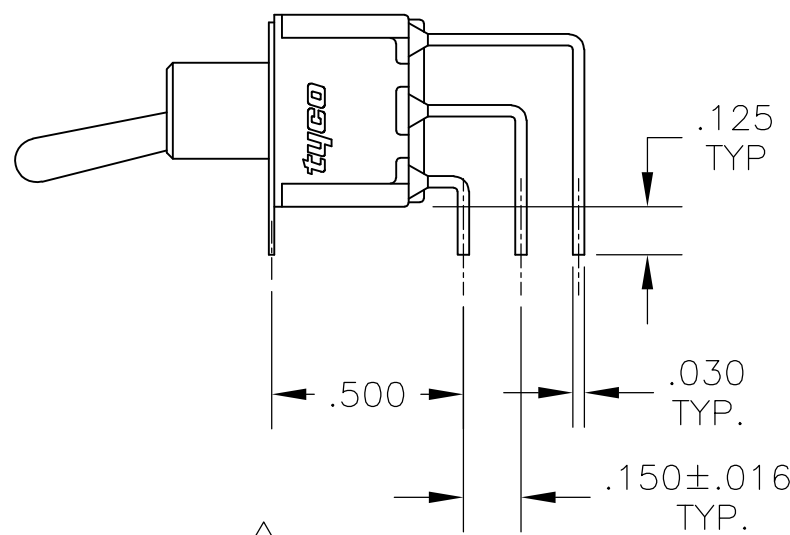
THIS DRAWING IS A CONTROLLED DOCUMENT.		DWN M. ZITTO	14APR05	Tyco Electronics Corporation Harrisburg, Pa 17105-3608	
DIMENSIONS: INCHES		CHK M. ZITTO	-	NAME	
TOLERANCES UNLESS OTHERWISE SPECIFIED:		APVD P. BROUILLETTE	-	PRODUCT SPEC	
0 PLC ± -		PRODUCT SPEC	-	APPLICATION SPEC	
1 PLC ± -		APPLICATION SPEC	-	SIZE A2	CAGE CODE 00779
2 PLC ± -		WEIGHT -	-	DRAWING NO C=1825138	RESTRICTED TO -
3 PLC ± .010		CUSTOMER DRAWING	-	SCALE 2:1	SHEET 2 of 4
4 PLC ± -				REV A1	
ANGLES ± -					
FINISH -					

THIS DRAWING IS UNPUBLISHED. RELEASED FOR PUBLICATION  
 © COPYRIGHT BY TYCO ELECTRONICS CORPORATION. ALL RIGHTS RESERVED.

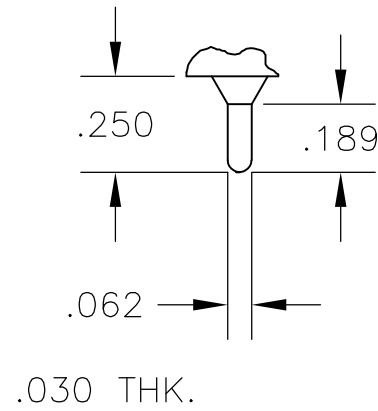
LOC		DIST		REVISIONS			
AD	00	P	LTR	DESCRIPTION	DATE	DWN	APVD
				SEE SHEET 1			



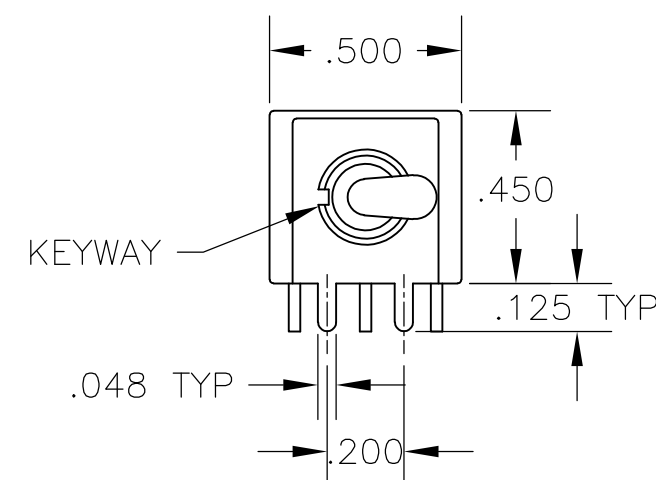
**AV2** VERTICAL RIGHT ANGLE  $\triangle 5$



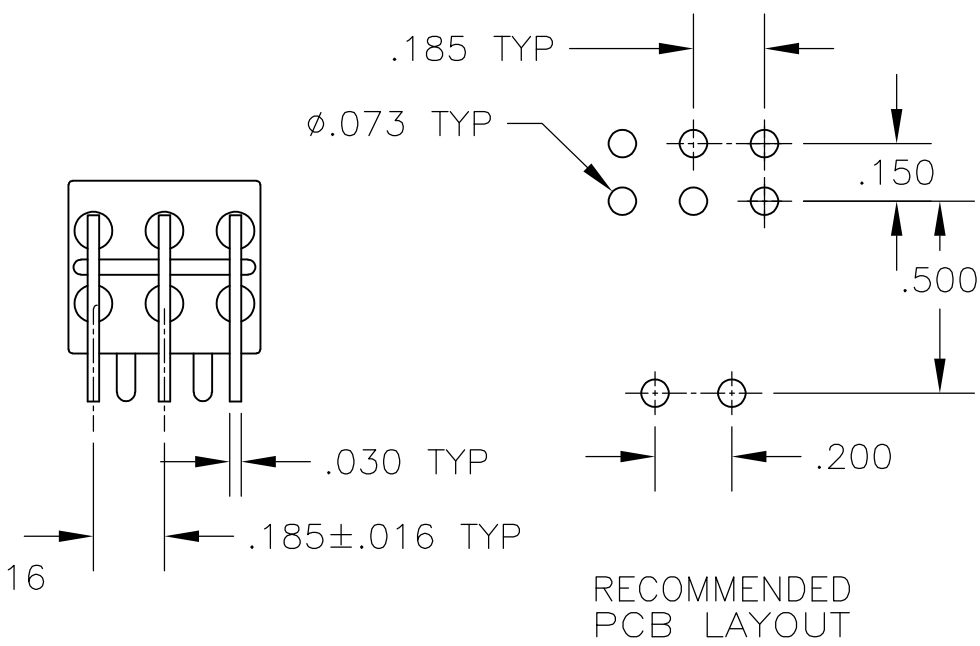
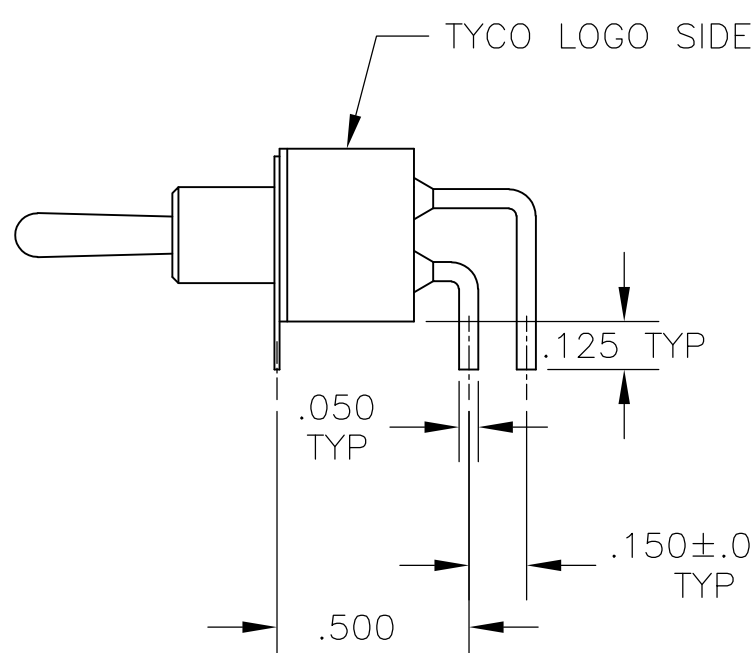
**Z** WIRE LUG



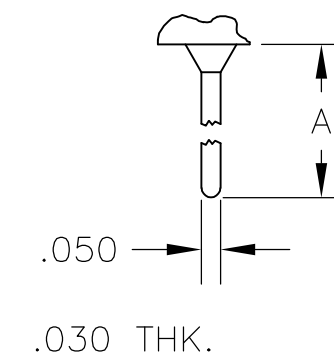
**Z3** QUICK CONNECT



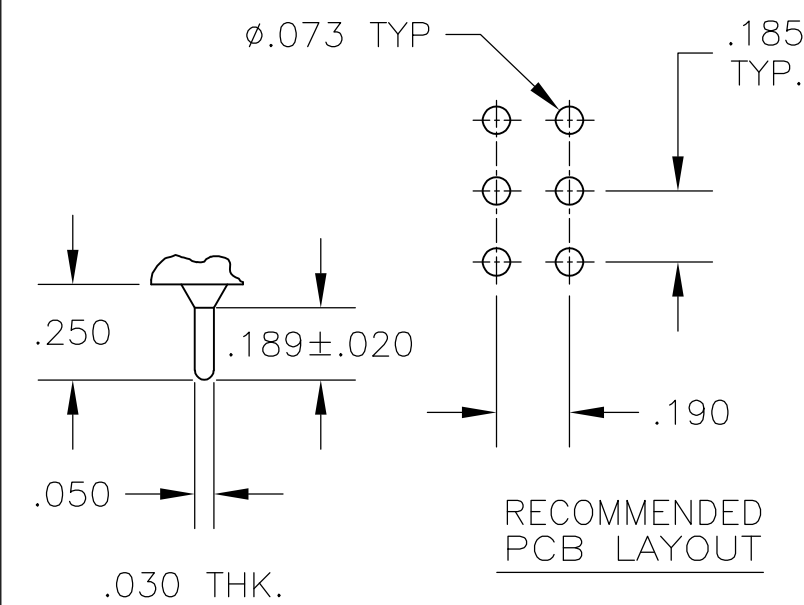
**A** RIGHT ANGLE  $\triangle 5$



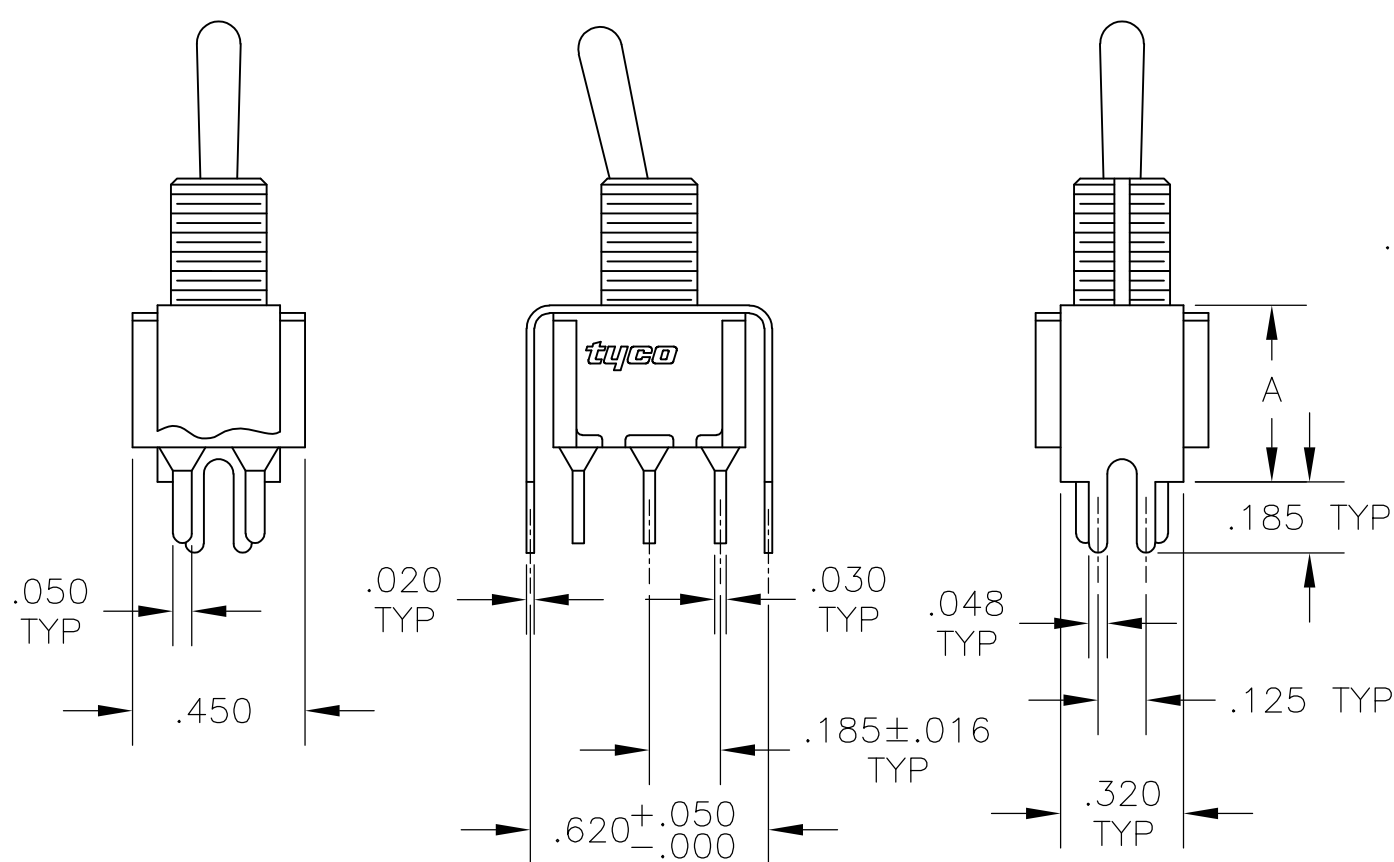
OPTION	DIM A
W	.736
W4	1.062



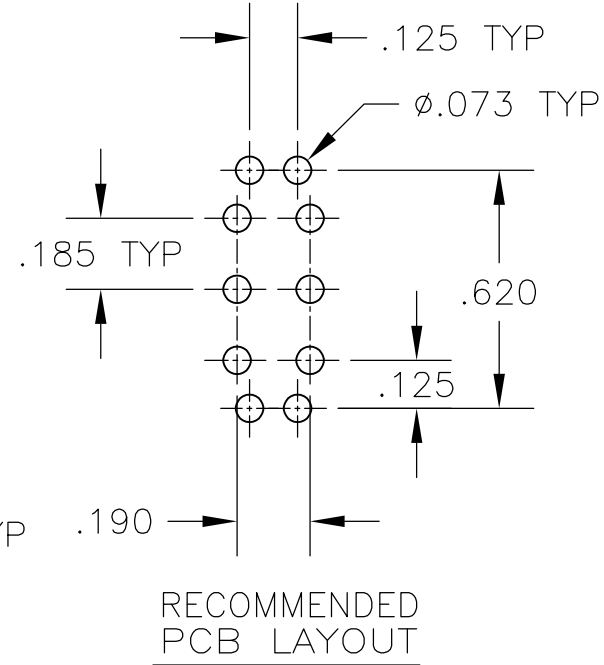
**W** **W4** WIRE WRAP



**C** PRINTED CIRCUIT

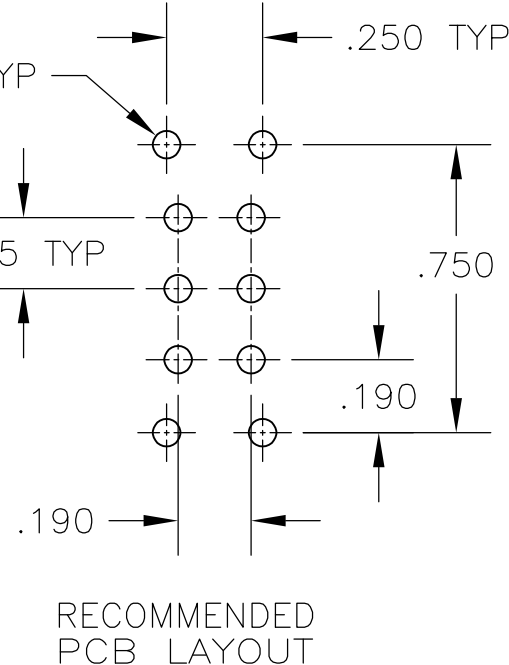
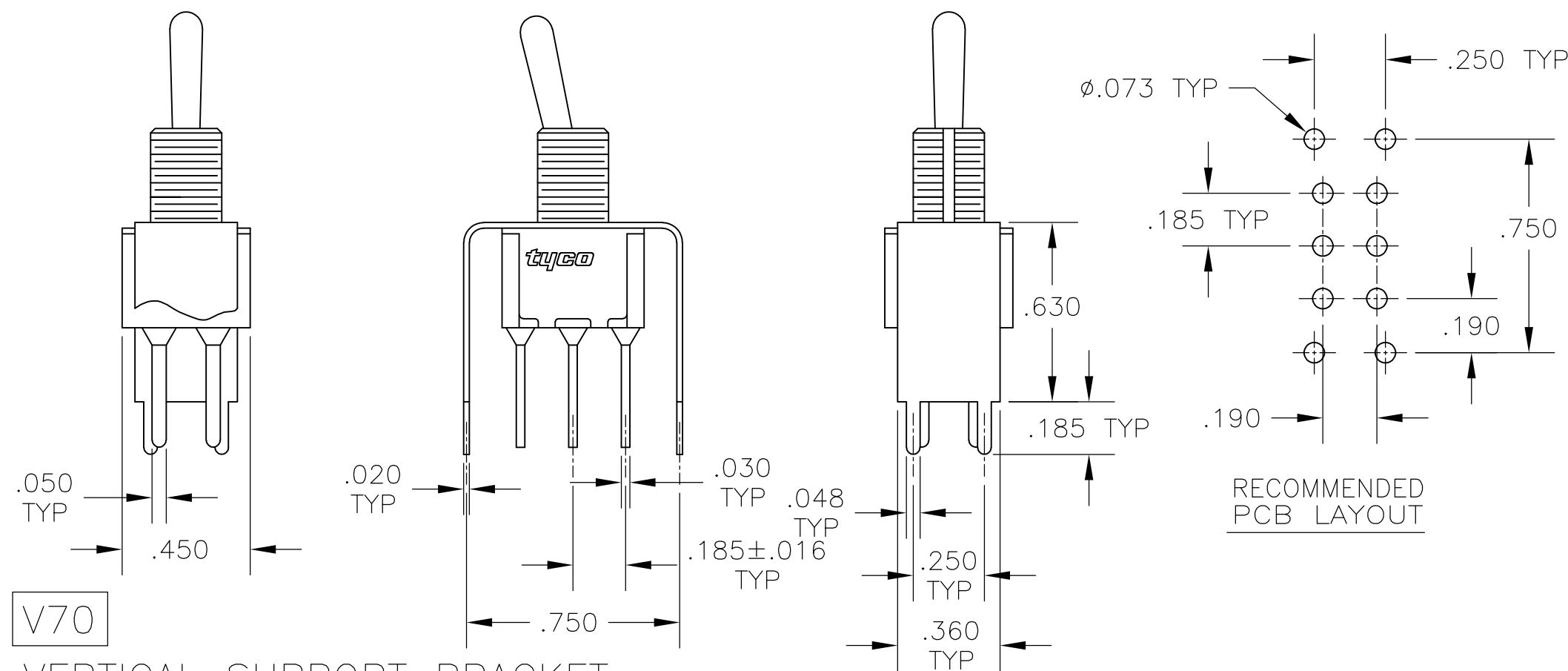


**V30** **V40**  $\triangle 5$   
 VERTICAL SUPPORT BRACKET



OPTION	DIM A
V30	.460
V40	.630

**V70**  
 VERTICAL SUPPORT BRACKET



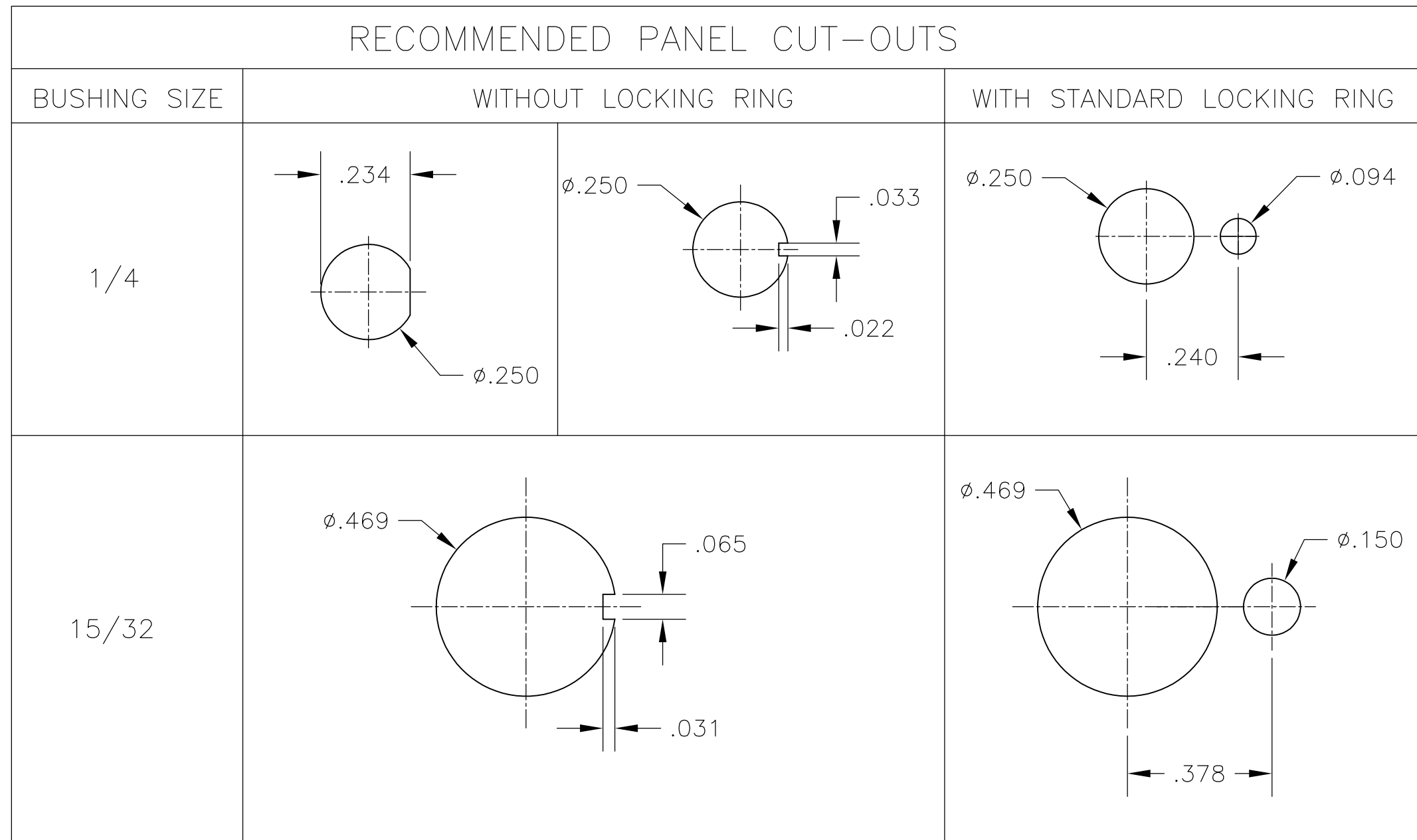
THIS DRAWING IS A CONTROLLED DOCUMENT.

DWN: M. ZITTO	14APR05	Tyco Electronics Corporation Harrisburg, Pa 17105-3608
CHK: M. ZITTO		
APVD: P. BROUILLETTE		NAME: GEMINI A SERIES TOGGLE SWITCH, DOUBLE POLE, 2 POSITION FUNCTIONS (01 & 08)
MATERIAL: -	FINISH: -	SIZE: A2
		CAGE CODE: 00779
		DRAWING NO: 1825138
		RESTRICTED TO: -
		SCALE: 2:1
		SHEET: 3 of 4
		REV: A1

THIS DRAWING IS UNPUBLISHED. RELEASED FOR PUBLICATION  
 © COPYRIGHT BY TYCO ELECTRONICS CORPORATION. ALL RIGHTS RESERVED.

LOC	DIST	REVISIONS					
AD	00	P	LTR	DESCRIPTION	DATE	DWN	APVD
		-	-	SEE SHEET 1	-	-	-

Alco P/N	TE P/N
A201KAB04	1825138-1
A201KD9AQ04	1825138-2
A201KZQ04	1825138-3
not assigned	1825138-4
A201L1D9V30Q04	1825138-5
A201MD9AB04	1825138-6
A201MD9AQ04	1825138-7
A201MD9AV2B04	1825138-8
A201MD9AV2Q04	1825138-9
A201MDAQ04	1-1825138-0
not assigned	1-1825138-1
A201MYAQ04	1-1825138-2
A201MYCB04	1-1825138-3
A201MYZQ04	1-1825138-4
A201P3ZQ04	1-1825138-5
A201SCWZB04	1-1825138-6
A201SD9AQ04	1-1825138-7
A201SD9AV2Q04	1-1825138-8
A201SDCB04	1-1825138-9
A201SDZQ04	2-1825138-0
A201SY9AB04	2-1825138-1
A201SYAB04	2-1825138-2
A201SYAQ04	2-1825138-3
A201SYCB04	2-1825138-4
A201SYCQ04	2-1825138-5
A201SYWQ04	2-1825138-6
A201SYZB04	2-1825138-7
A201SYZQ04	2-1825138-8
A201T1ZQ04	2-1825138-9
not assigned	3-1825138-0
A201TZQ04	3-1825138-1
A208KZG04	3-1825138-2
A208P3ZQ04	3-1825138-3
A208SD9AQ04	3-1825138-4
A208SD9AV2Q04	3-1825138-5
A208SYCB04	3-1825138-6
A208SYCQ04	3-1825138-7
A208SYZQ04	3-1825138-8
A208T1ZQ04	3-1825138-9
A208TZQ04	4-1825138-0



### MATERIALS CHART

COMPONENT NAME	BASE MATERIAL	FINISH
CASE	DAP, RED, UL94 V-0	
FRAME	STAINLESS STEEL	
B TERMINALS & CONTACTS	COPPER	GOLD OVER NICKEL
G TERMINALS & CONTACTS	COPPER	GOLD OVER SILVER
Q TERMINALS & CONTACTS	COPPER	.000400 SILVER
ACTUATOR	PHENOLIC, BLACK, UL94 V-1	
LEVER	BRASS	CHROME
BUSHING	BRASS	NICKEL
SPRING	MUSIC WIRE	
SUPPORT BRACKET	BRASS	TIN
PIVOT PIN	STEEL	NICKEL
LOCK WASHER	STAINLESS STEEL	
LOCKING RING	STAINLESS STEEL	
NUTS	C3604BD BRASS	NICKEL
TERMINAL SEAL	EPOXY	

THIS DRAWING IS A CONTROLLED DOCUMENT.		DWN M. ZITTO	14APR05	Tyco Electronics Corporation Harrisburg, Pa 17105-3608
DIMENSIONS: INCHES		CHK M. ZITTO	APVD P. BROUILLETTE	
		TOLERANCES UNLESS OTHERWISE SPECIFIED: 0 PLC ± - 1 PLC ± - 2 PLC ± - 3 PLC ± .010 4 PLC ± - ANGLES ± -		NAME GEMINI A SERIES TOGGLE SWITCH, DOUBLE POLE, 2 POSITION FUNCTIONS (01 & 08)
MATERIAL		FINISH		SIZE A2
		WEIGHT		CAGE CODE 00779
		CUSTOMER DRAWING		DRAWING NO 1825138
		SCALE		RESTRICTED TO -
		SHEET		4 OF 4
		REV		A1